

STANDARD GOLF[®] COMPANY

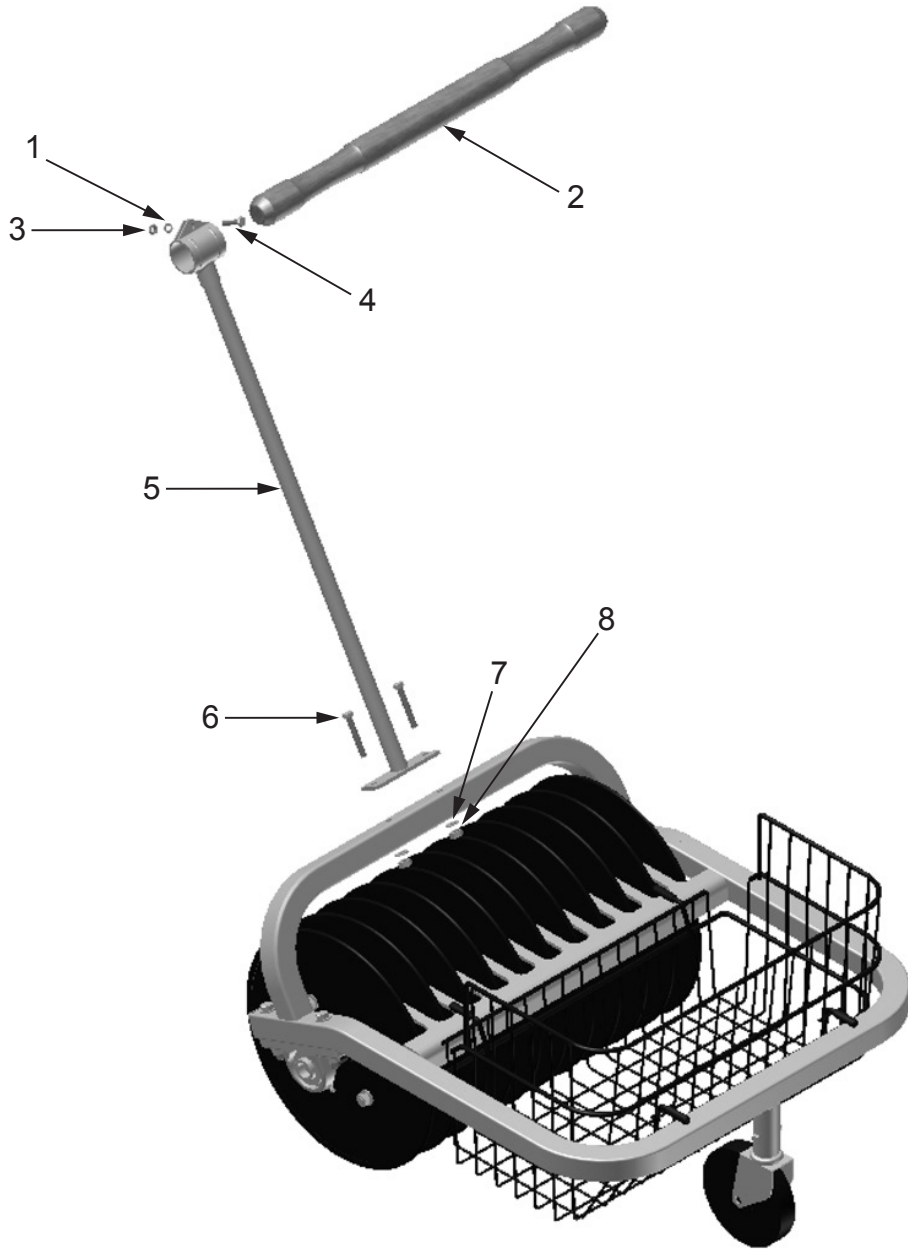
OWNER'S MANUAL FOR THE HARVESTER JUNIOR



REVISED FEBRUARY 2024

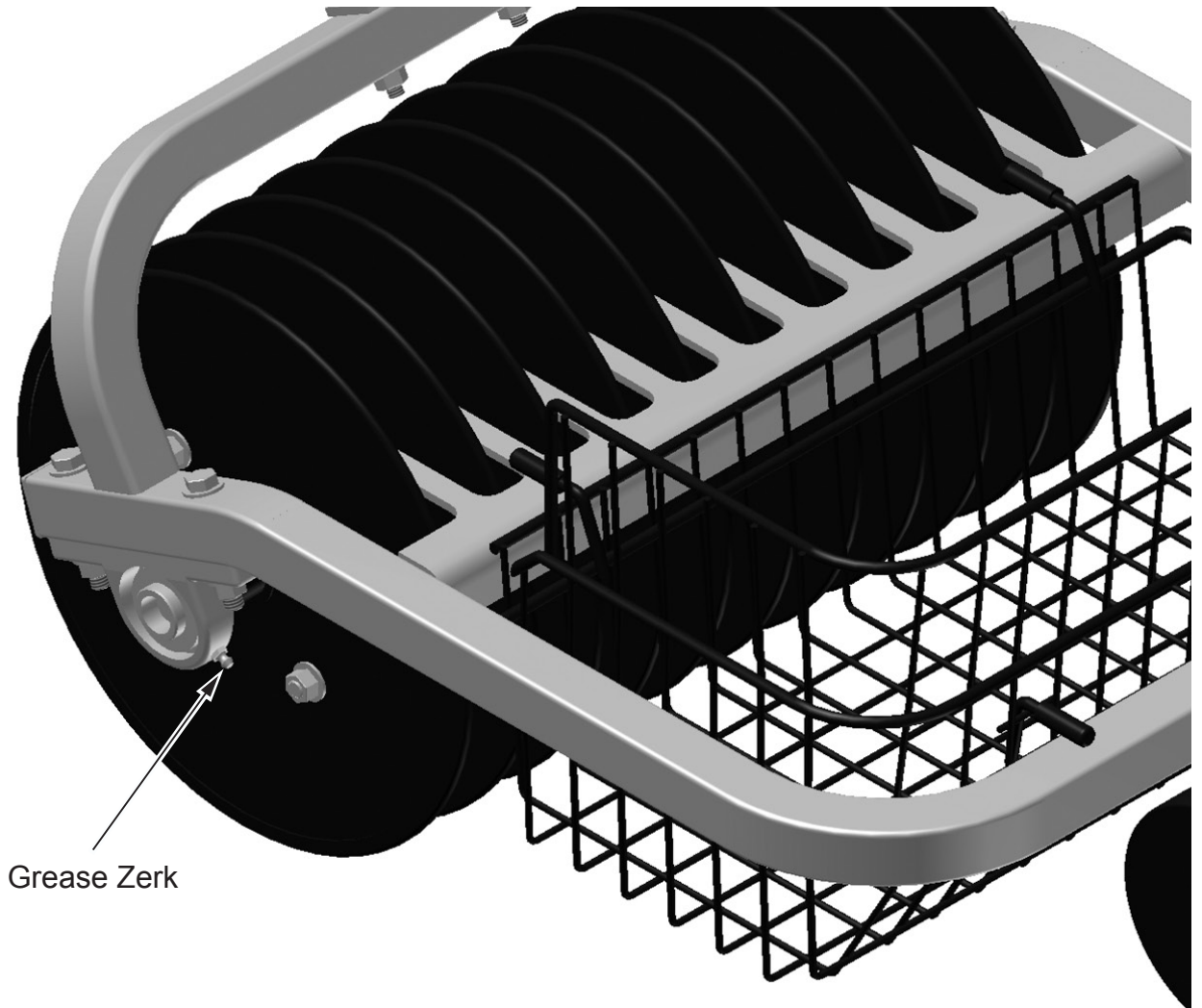
PART NUMBER 85200

HARVESTER JUNIOR HANDLE INSTALLATION



Key Number/Item Description/Quantity/Part Number

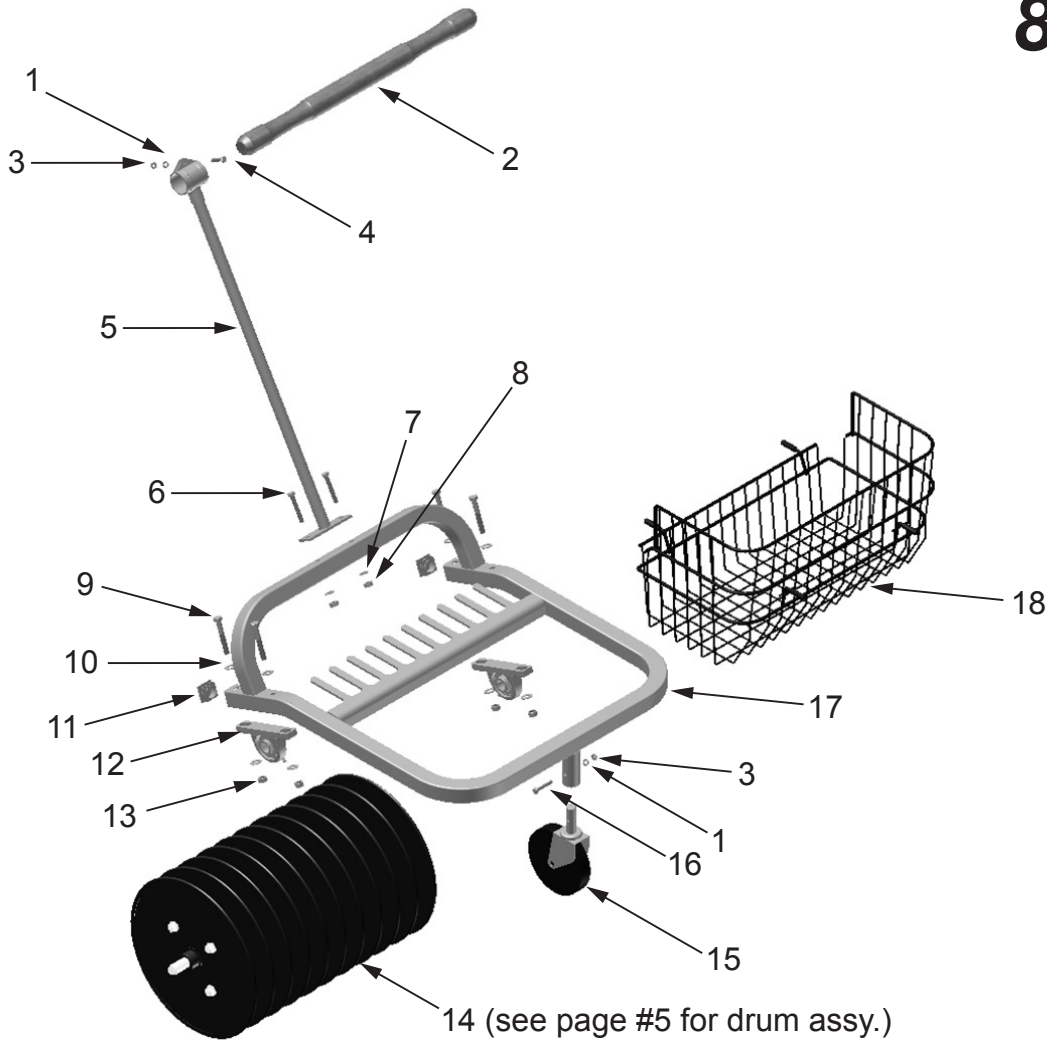
1	.250 Lockwasher (M6)	1	13-01055
2	Wooden Handle	1	28204
3	1/4-20 Hex Nut (M6-1.0)	1	13-02004
4	1/4-20 x 1.50 Hex Head Bolt (M6-1.0x30mm)	1	13-01040
5	Junior Handle	1	85201
6	5/16-18 x 2.00 Hex Head Bolt (M8-1.25x50mm)	2	13-01060
7	.313 Lockwasher (M8)	2	13-01054
8	5/16-18 Hex Nut (M8-1.25)	2	13-01044



MAINTENANCE PROCEDURES

Lube both (2) Grease Zerks every three months of use. Zerks are found on each Bearing Pillow Block. Bearing Pillow Blocks are located on each side of the Harvester Junior where the Drum Assembly attaches to the Harvester Junior Main Frame.

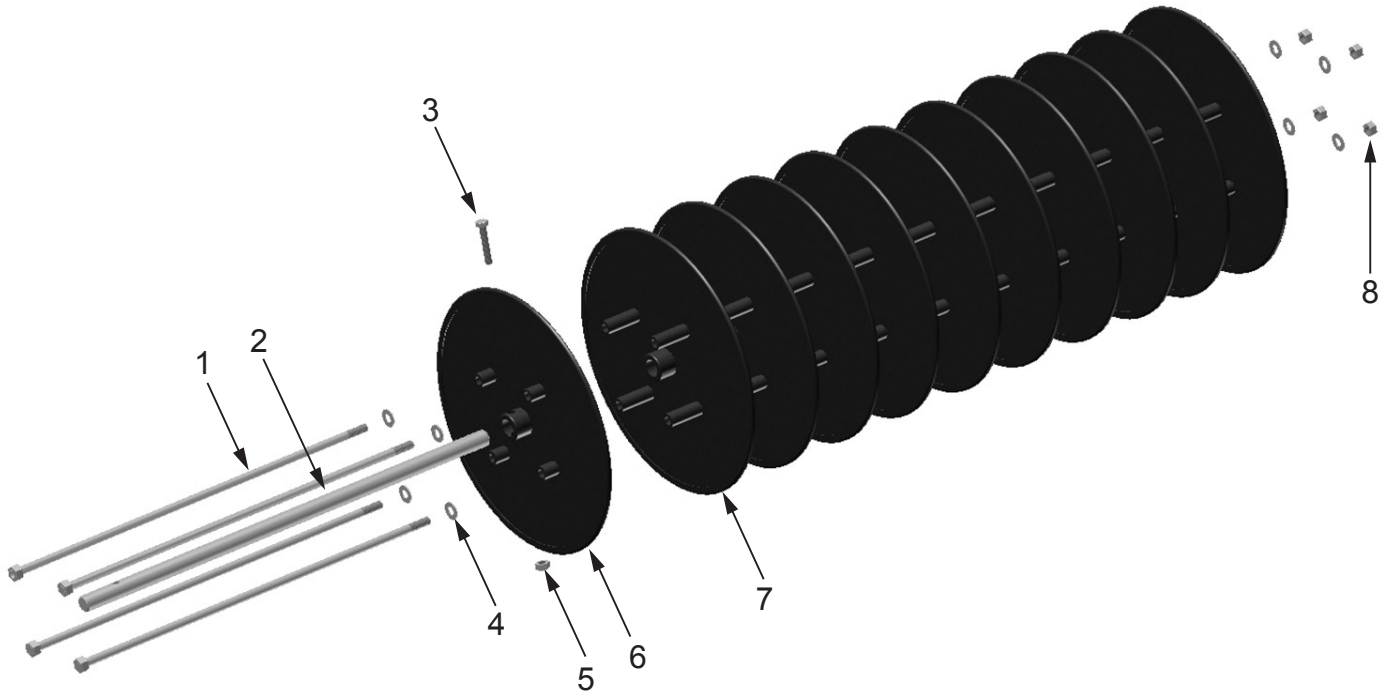
HARVESTER JUNIOR COMPLETE ASSEMBLY 85200



Key Number/Item Description/Quantity/Part Number

1	.250 Lockwasher (M6)	2	13-01055
2	Wooden Handle	1	28204
3	1/4-20 Hex Nut (M6-1.0)	2	13-02003
4	1/4-20 x 1.50 Hex Head Bolt (M6-1.0x30mm)	1	13-01000
5	Junior Handle	1	85201
6	5/16-18 x 2.00 Hex Head Bolt (M8-1.25x50mm)	2	13-01061
7	.313 Lockwasher (M8)	2	13-01054
8	5/16-18 Hex Nut (M8-1.25)	2	13-01044
9	3/8-16 x 2.50 Hex Head Bolt (M10-1.5x65mm)	4	13-01048
10	.375 Flatwasher (M10)	8	26413
11	End Cap	2	83120
12	Bearing Pillow Block	2	83116
13	3/8-16 Nylon Lock Nut (M10)	4	13-01050
14	Junior Drum Assembly	1	85206
15	Octagon Stem Caster	1	85204
16	1/4-20 x 1.50 Hex Head Bolt (M6-1.0x40mm)	1	13-01000
17	Junior Main Frame	1	85202
18	Wire Basket	1	83119

HARVESTER JUNIOR DRUM ASSEMBLY 85206



Key Number/Item Description/Quantity/Part Number

1	Back Tie Rod Weldment	4	82100
2	Front Axle	1	85203
3	5/16-18 x 2.00 Hex Head Bolt (M8-1.25x50mm)	1	13-01060
4	.375 Flatwasher (M10)	8	26413
5	5/16-18 Hex Nut (M8-1.25)	1	13-01044
6	Plastic Disk (Junior)	1	85205
7	Plastic Disk (.76 Dia. ID)	10	81503
8	3/8-16 Nylon Lock Nut (M10)	4	13-01050