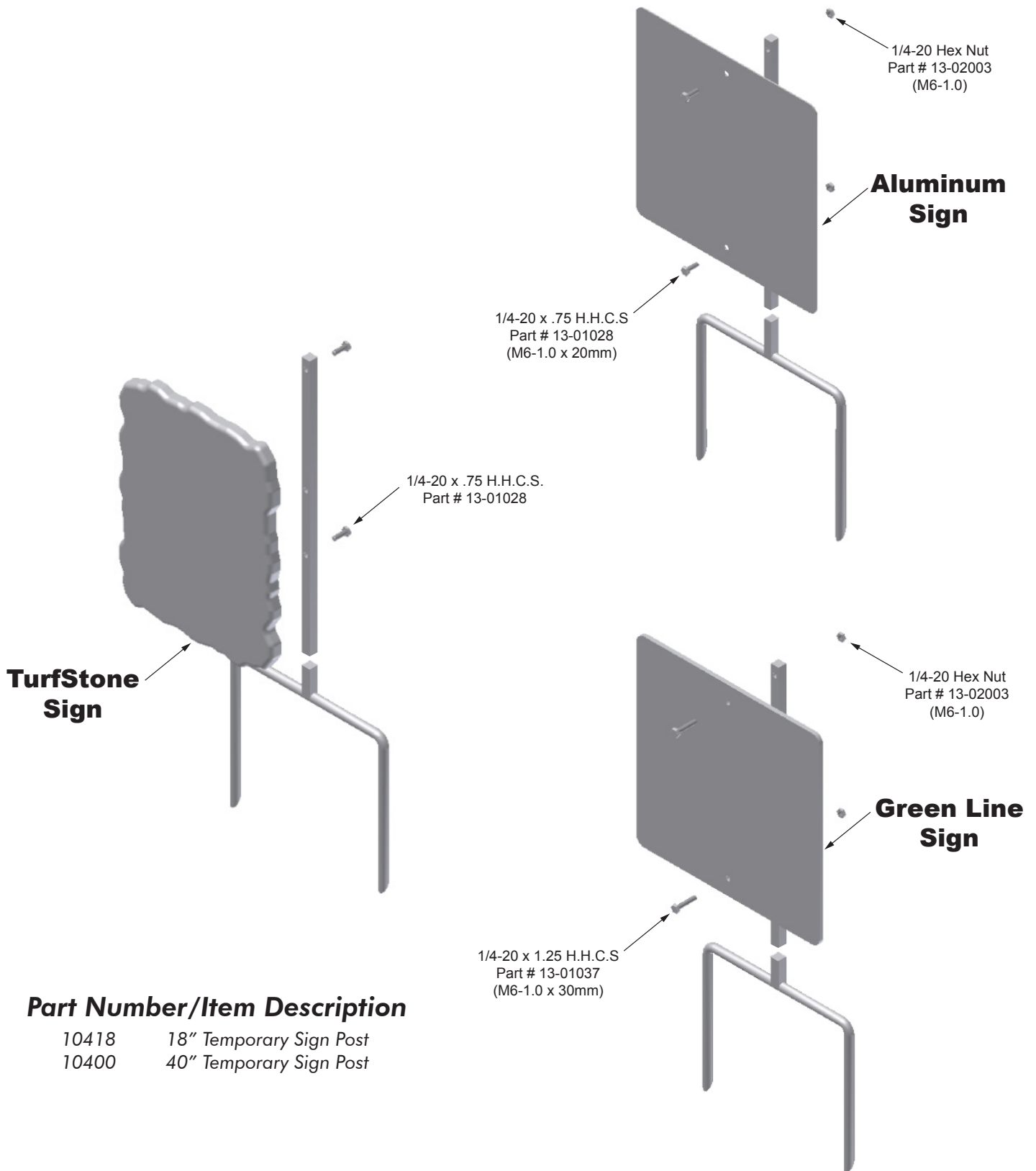


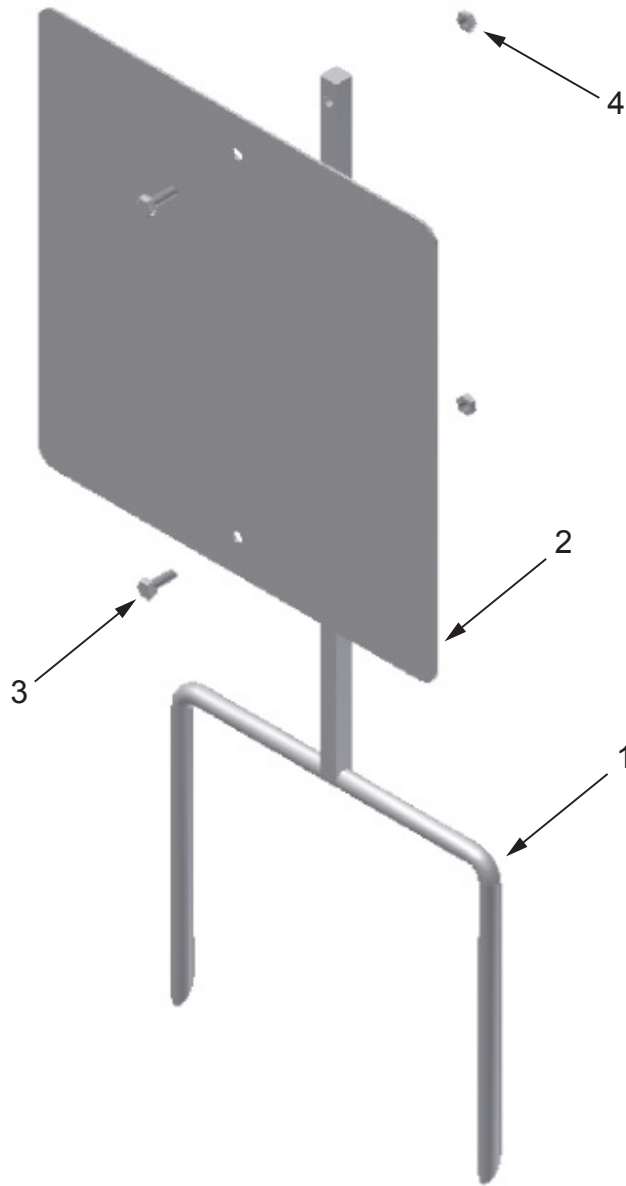
18" & 40" TEMPORARY SIGN POST HARDWARE GUIDE



Part Number/Item Description

10418	18" Temporary Sign Post
10400	40" Temporary Sign Post

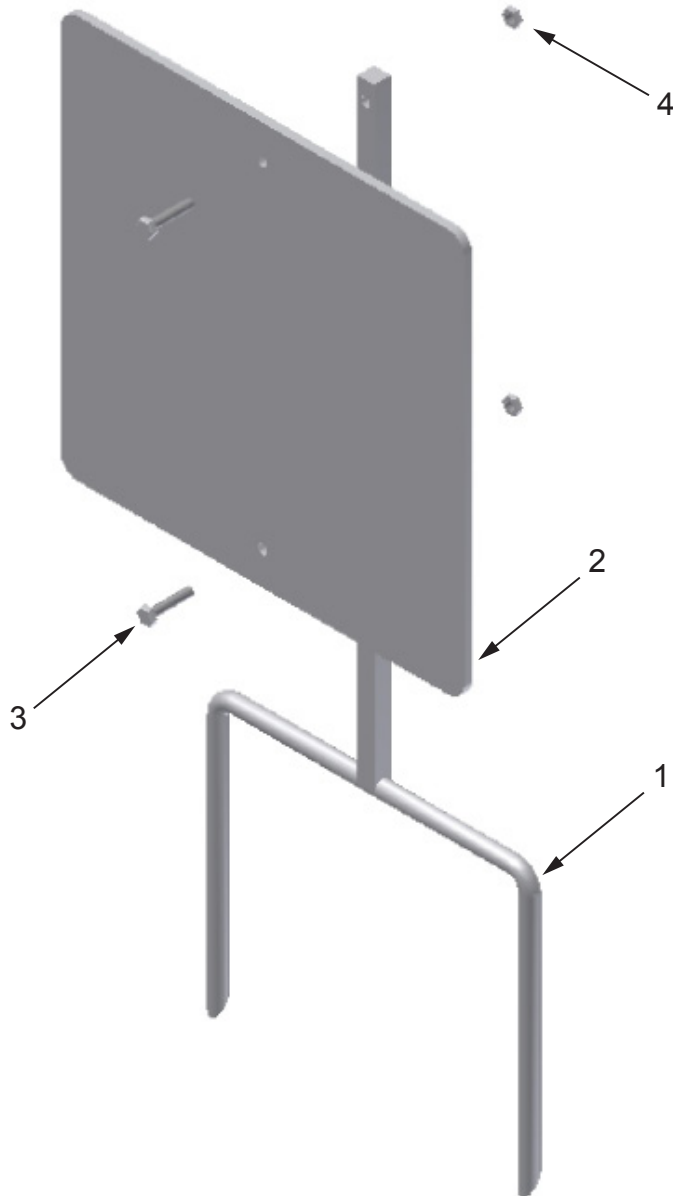
18" TEMPORARY SIGN POST 12" X 12" ALUMINUM SIGN



Key Number/Part Number/Item Description/Quantity

1	10418	18" Temporary Sign Post	1
2		12" x 12" Aluminum Sign	1
3	13-01028	1/4-20 x .75 H.H.C.S. (M6-1.0 x 20mm)	2
4	13-02003	1/4-20 Hex Nut (M6-1.0)	2

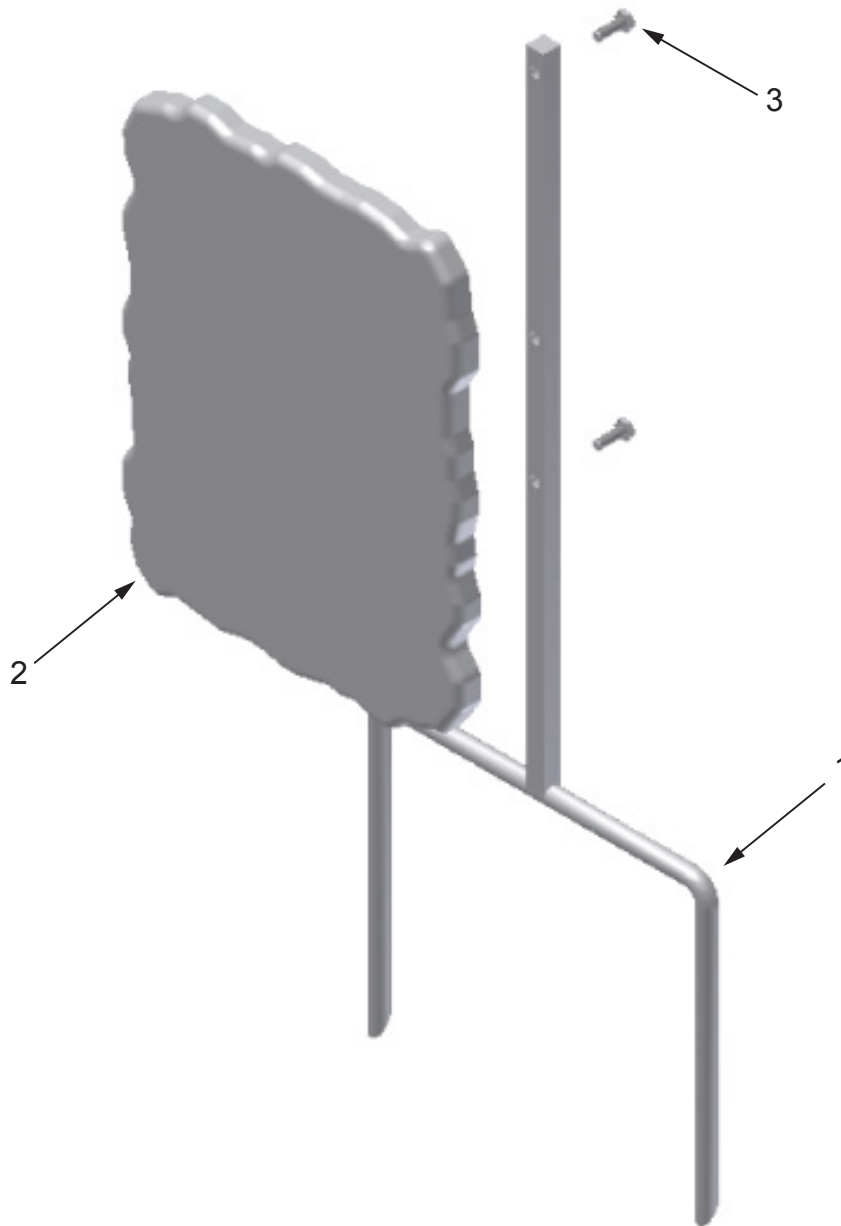
18" TEMPORARY SIGN POST 12" X 12" GREEN LINE SIGN



Key Number/Part Number/Item Description/Quantity

1	10418	18" Temporary Sign Post	1
2		12" x 12" Green Line Information Sign	1
3	13-01037	1/4-20 x 1.25 H.H.C.S. (M6-1.0 x 30mm)	2
4	13-02003	1/4-20 Hex Nut (M6-1.0)	2

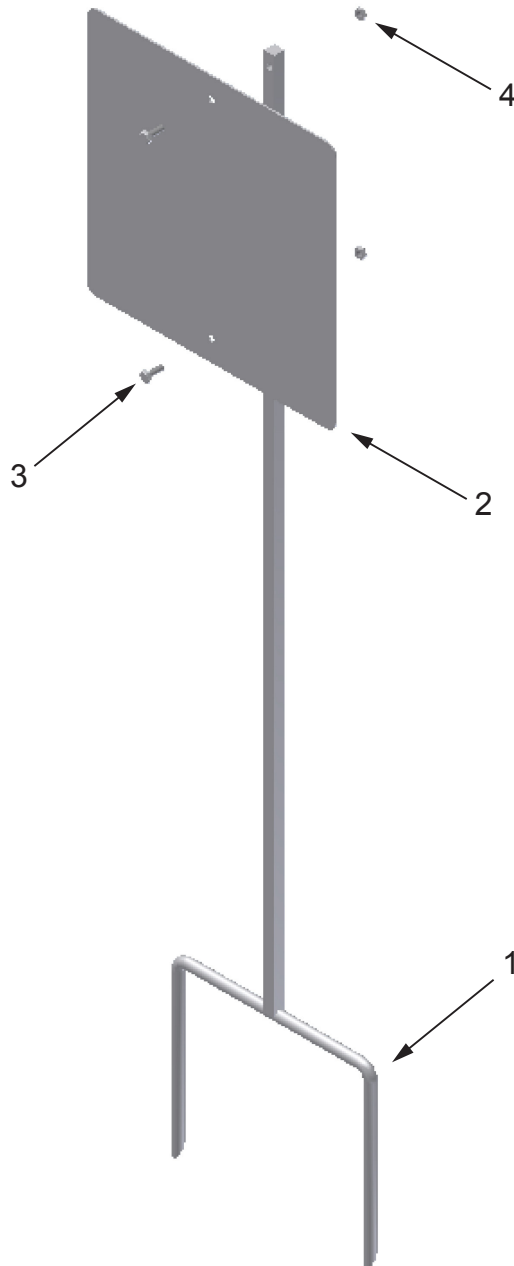
18" TEMPORARY SIGN POST 9" x 12" TURFSTONE SIGN



Key Number/Part Number/Item Description/Quantity

1	10418	18" Temporary Sign Post	1
2		9" x 12" TurfStone Sign	1
3	13-01028	1/4-20 x .75 H.H.C.S.	2

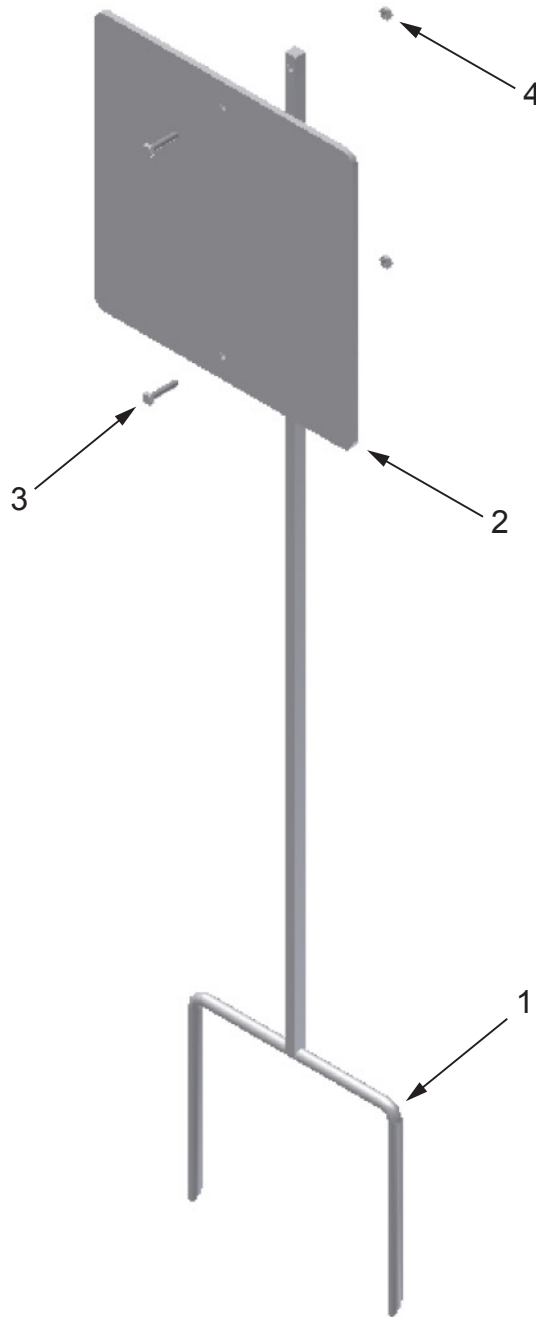
40" TEMPORARY SIGN POST 12" x 12" ALUMINUM SIGN



Key Number/Part Number/Item Description/Quantity

1	10400	40" Temporary Sign Post	1
2		12" x 12" Aluminum Sign	1
3	13-01028	1/4-20 x .75 H.H.C.S. (M6-1.0 x 20mm)	2
4	13-02003	1/4-20 Hex Nut (M6-1.0)	2

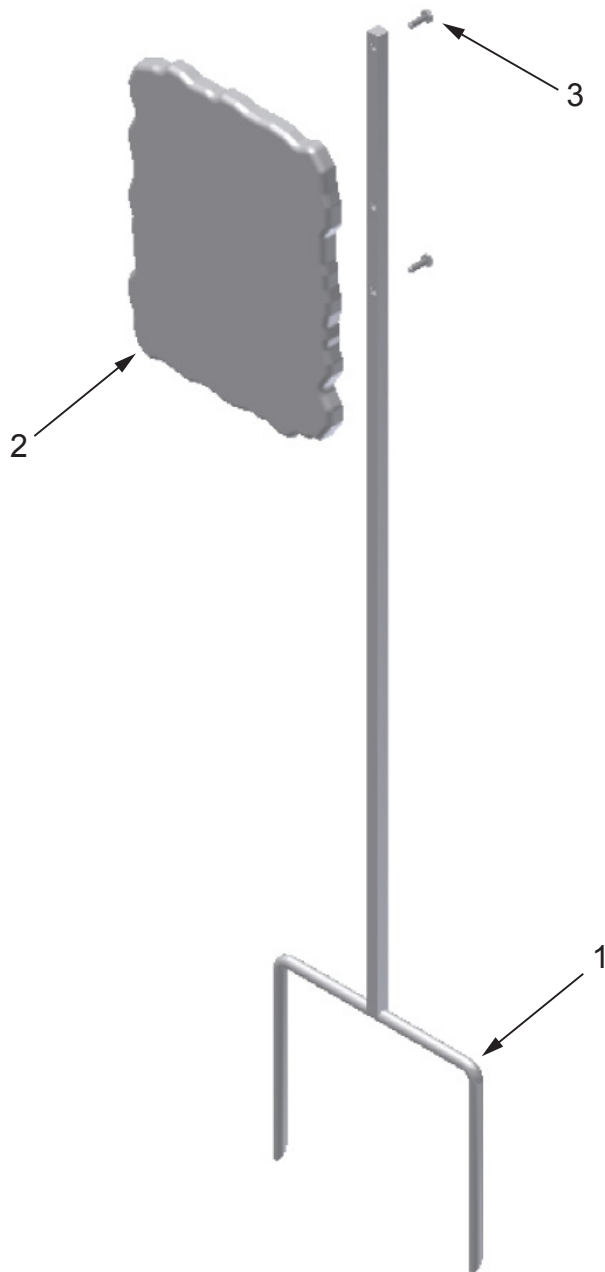
40" TEMPORARY SIGN POST 12" x 12" GREEN LINE SIGN



Key Number/Part Number/Item Description/Quantity

1	10400	40" Temporary Sign Post	1
2		12" x 12" Green Line Information Sign	1
3	13-01037	1/4-20 x 1.25 H.H.C.S. (M6-1.0 x 30mm)	2
4	13-02003	1/4-20 Hex Nut (M6-1.0)	2

40" TEMPORARY SIGN POST 9" x 12" TURFSTONE SIGN



Key Number/Part Number/Item Description/Quantity

1	10400	40" Temporary Sign Post	1
2		9" x 12" TurfStone Sign	1
3	13-01028	1/4-20 x .75 H.H.C.S.	2