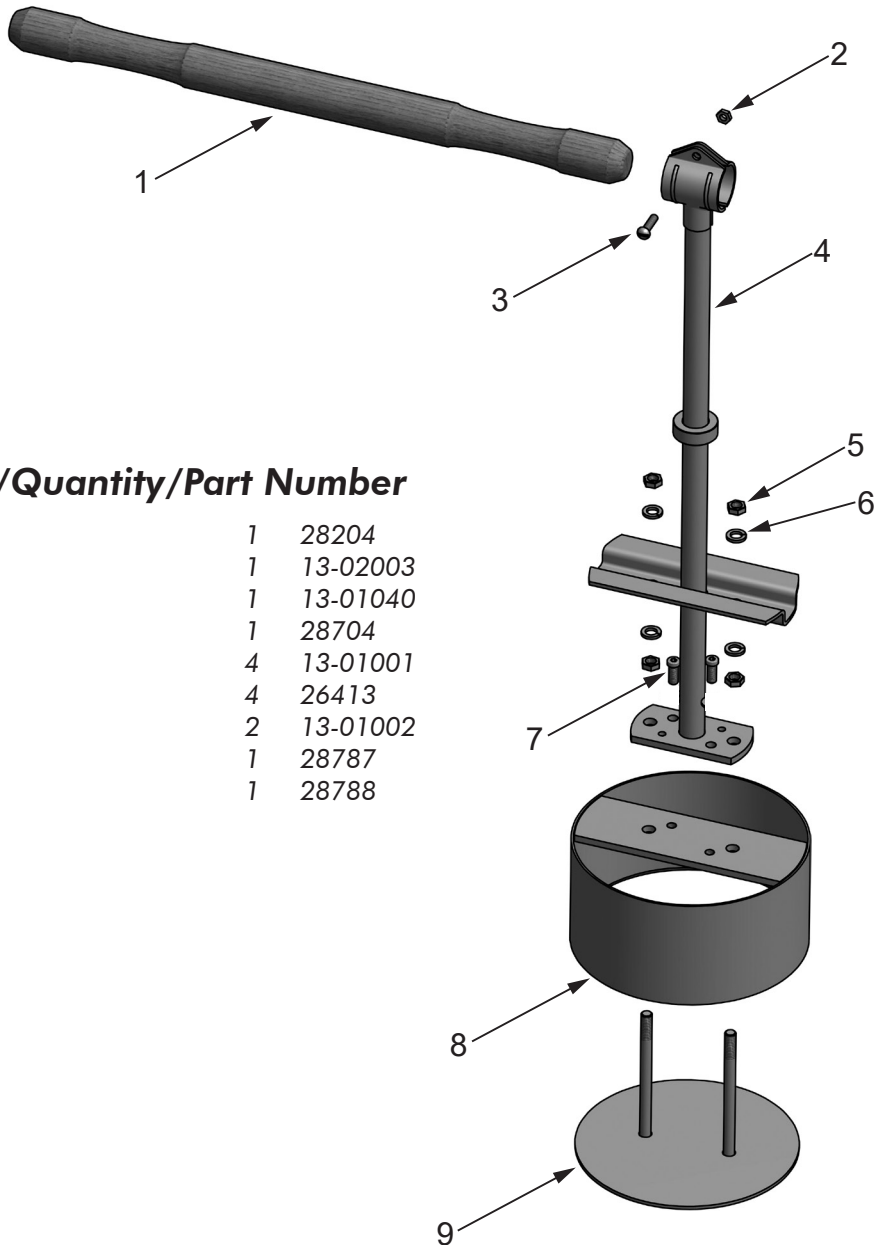


8" PRO II HOLE CUTTER 28785



Key Number/Item Description/Quantity/Part Number

1	Wooden Handle	1	28204
2	1/4-20 Hex Nut - Zinc	1	13-02003
3	1/4-20 x 1.00 Grade 2 Zinc	1	13-01040
4	Insert Assembly	1	28704
5	3/8-16 Hex Nut - Zinc	4	13-01001
6	3/8 SAE Flat Washer - Zinc	4	26413
7	5/16 x 3/4 Hex Washer Head	2	13-01002
8	8" Cutter Shell - Str. In	1	28787
9	8" Hole Cutter Expeller	1	28788