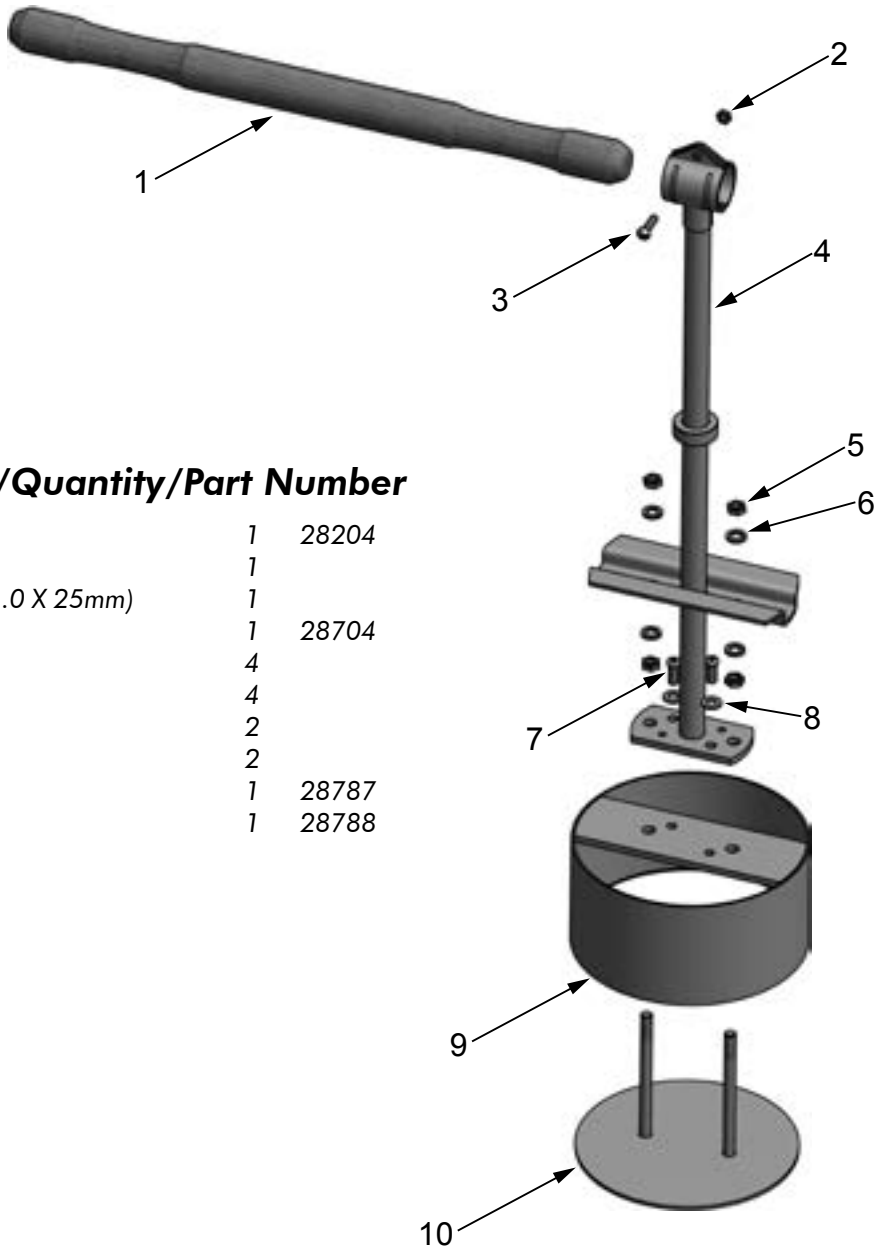


# 8" PRO II HOLE CUTTER 28785



**Key Number/Item Description/Quantity/Part Number**

1	Wooden Handle	1	28204
2	1/4-20 Hex Nut (M6-1.0)	1	
3	1/4-20 X 1.00 Machine Screw (M6-1.0 X 25mm)	1	
4	Insert Assembly	1	28704
5	3/8-16 Hex Jam Nut	4	
6	3/8 Lock Washer	4	
7	5/16-18 X .75 Low Head Socket	2	
8	5/16 Lock Washer	2	
9	8" Cutter Shell - Str. In	1	28787
10	8" Hole Cutter Expeller	1	28788