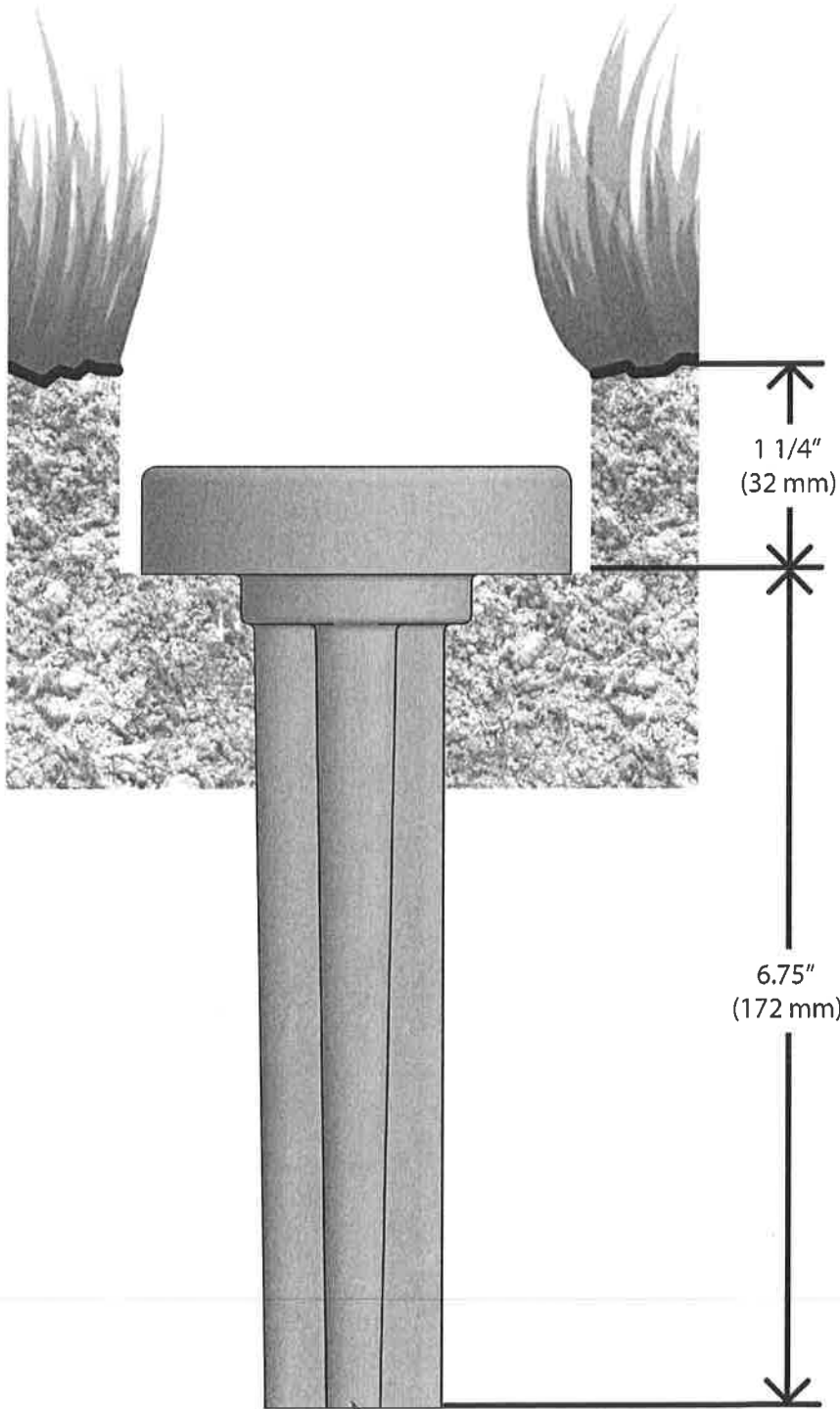


# FORCE FLEX ANCHOR INSTALLATION



**REMOVE 1 1/4"  
DEEP PLUG WITH  
4 1/4" HOLE CUTTER**

**USE 1" DRILL BIT  
OR EQUIVALENT  
TOOL TO CREATE  
PILOT HOLE FOR  
GROUND ANCHOR**

**INSERT BY TAPPING  
GROUND ANCHOR  
WITH RUBBER  
Mallet UNTIL  
SECURE**

<u>Part #</u>	<u>Description</u>
15500	FORCE FLEX GROUND ANCHOR