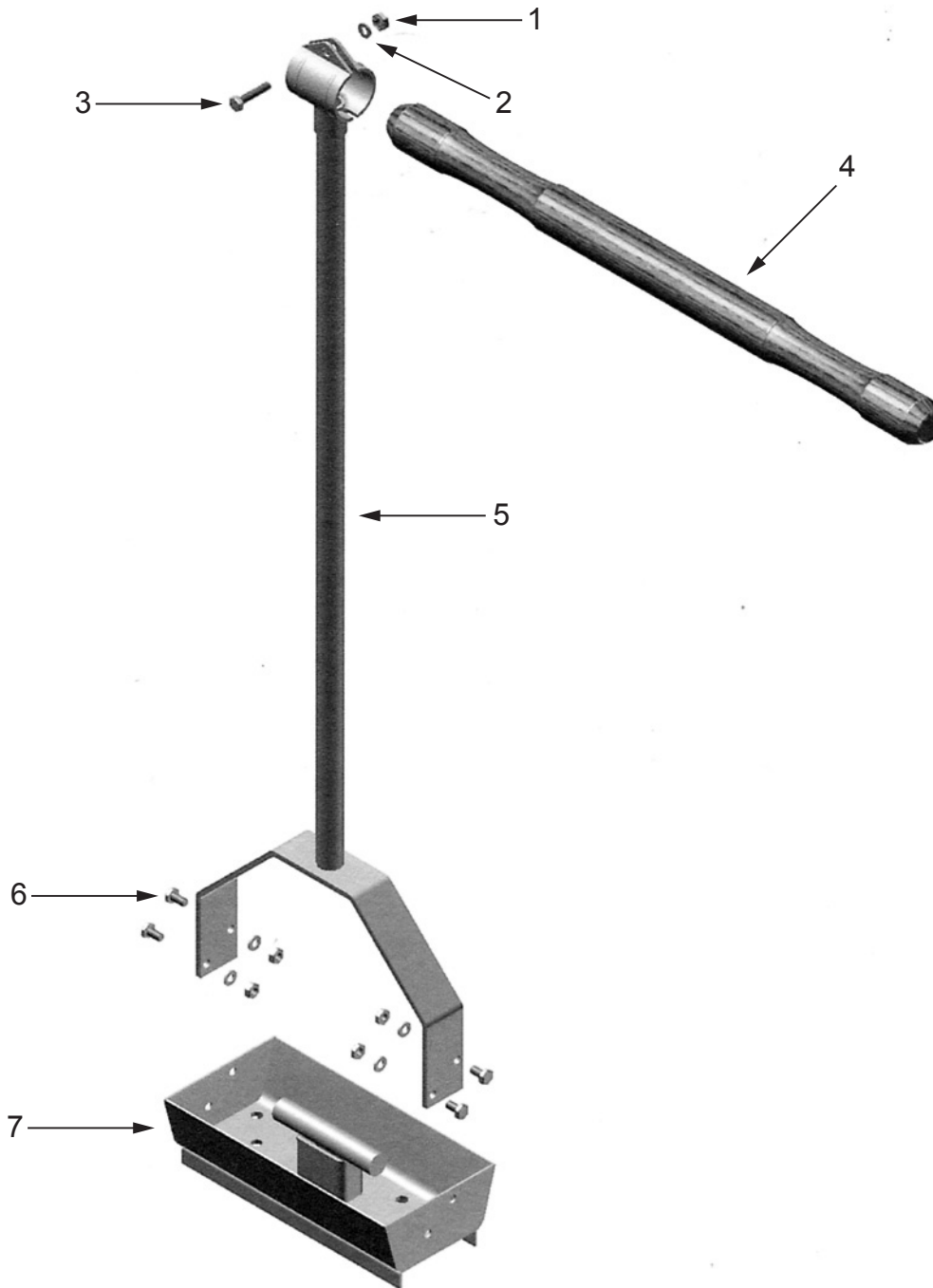


# AERIFIER BODY ASSEMBLY LESS TINES

29808

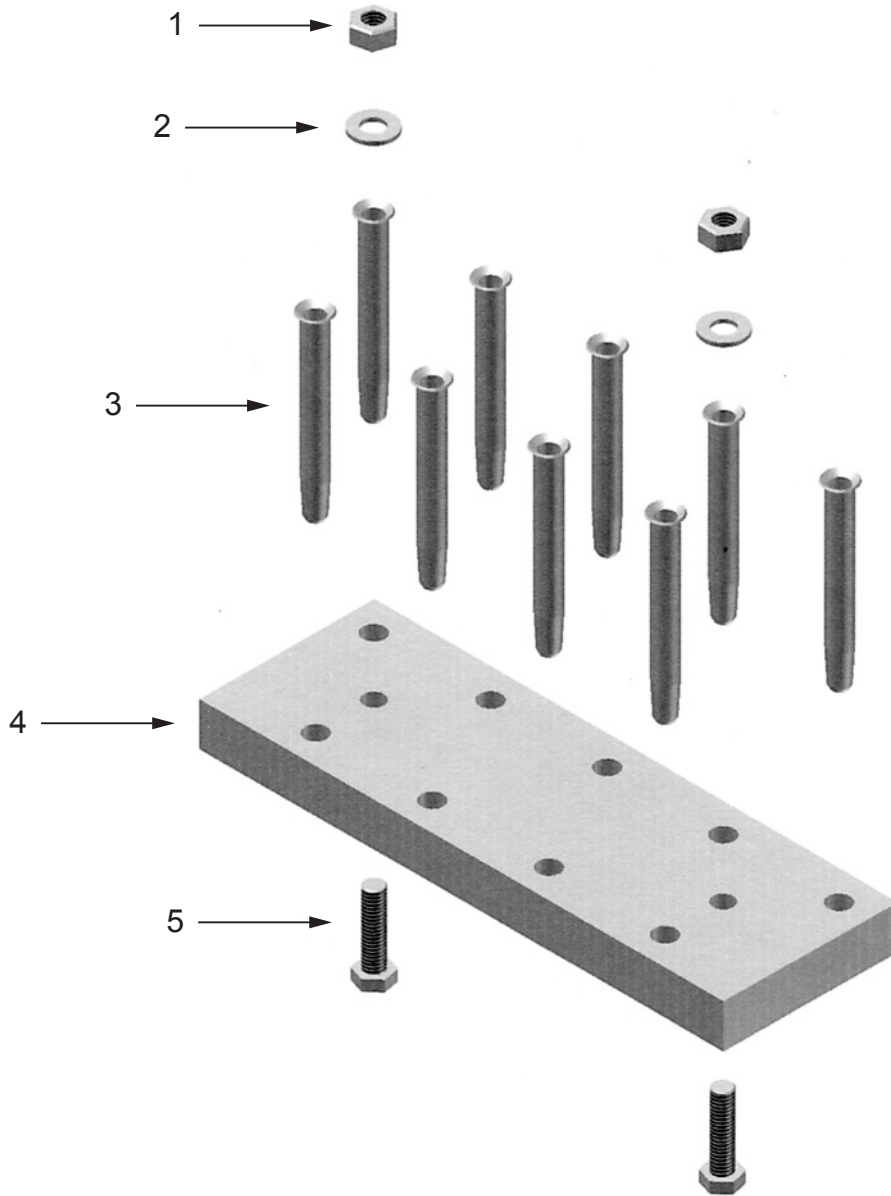


## Key Number/Item Description/Quantity/Part Number

1	1/4-20 Hex Nut	5	
2	.250 Lockwasher	5	
3	1/4-20 x 1.25 S.H.C.S	1	
4	Wood Handle	1	28204
5	Handle Weldment	1	29806
6	1/4-20 x .50 S.H.C.S.	4	
7	Core Collector	1	29807

# HOLLOW TINE BASE ASSEMBLY

29803

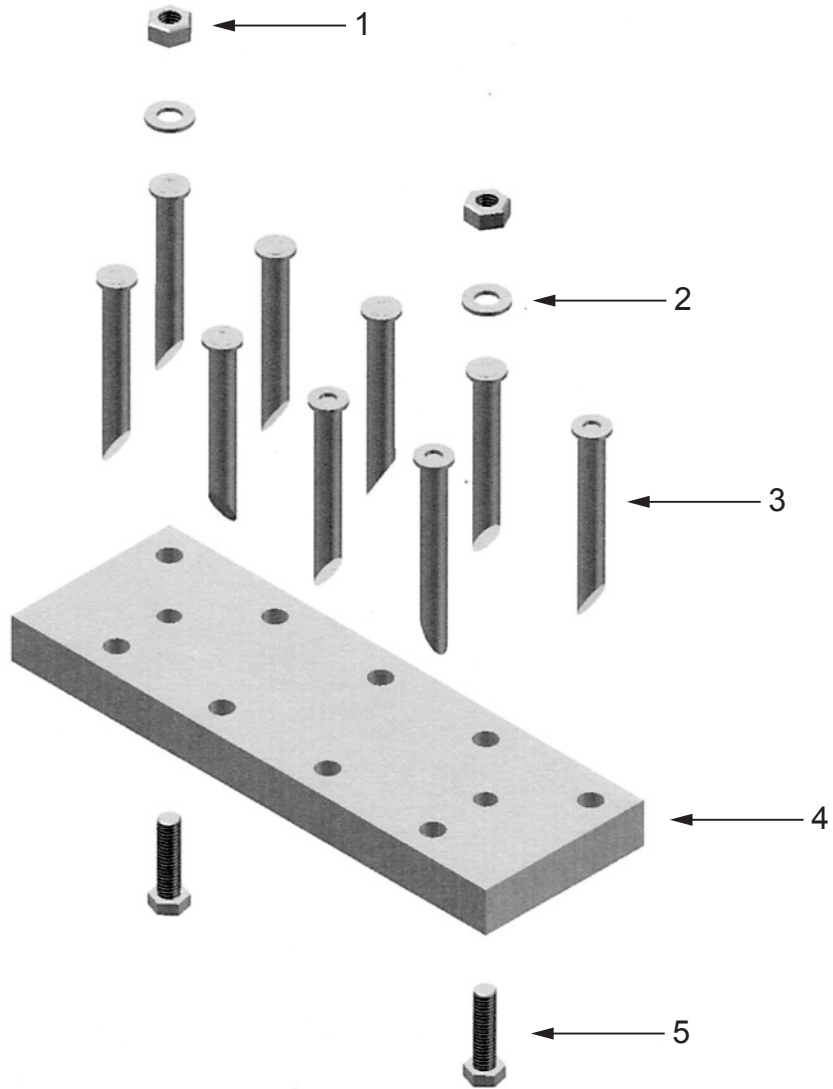


**Key Number/Item Description/Quantity/Part Number**

1	5/16-18 Hex Nut	2	
2	.313 Diameter Lockwasher	2	
3	Hollow Tine	9	29809
4	Plastic Base	1	29802
5	5/16-18 x 1.25	2	

# SOLID TINE BASE ASSEMBLY

29805



## Key Number/Item Description/Quantity/Part Number

1	5/16-18 Hex Nut	2	
2	.313 Diameter Lockwasher	2	
3	Solid Tine	9	29804
4	Plastic Base	1	29802
5	5/16-18 x 1.25	2	