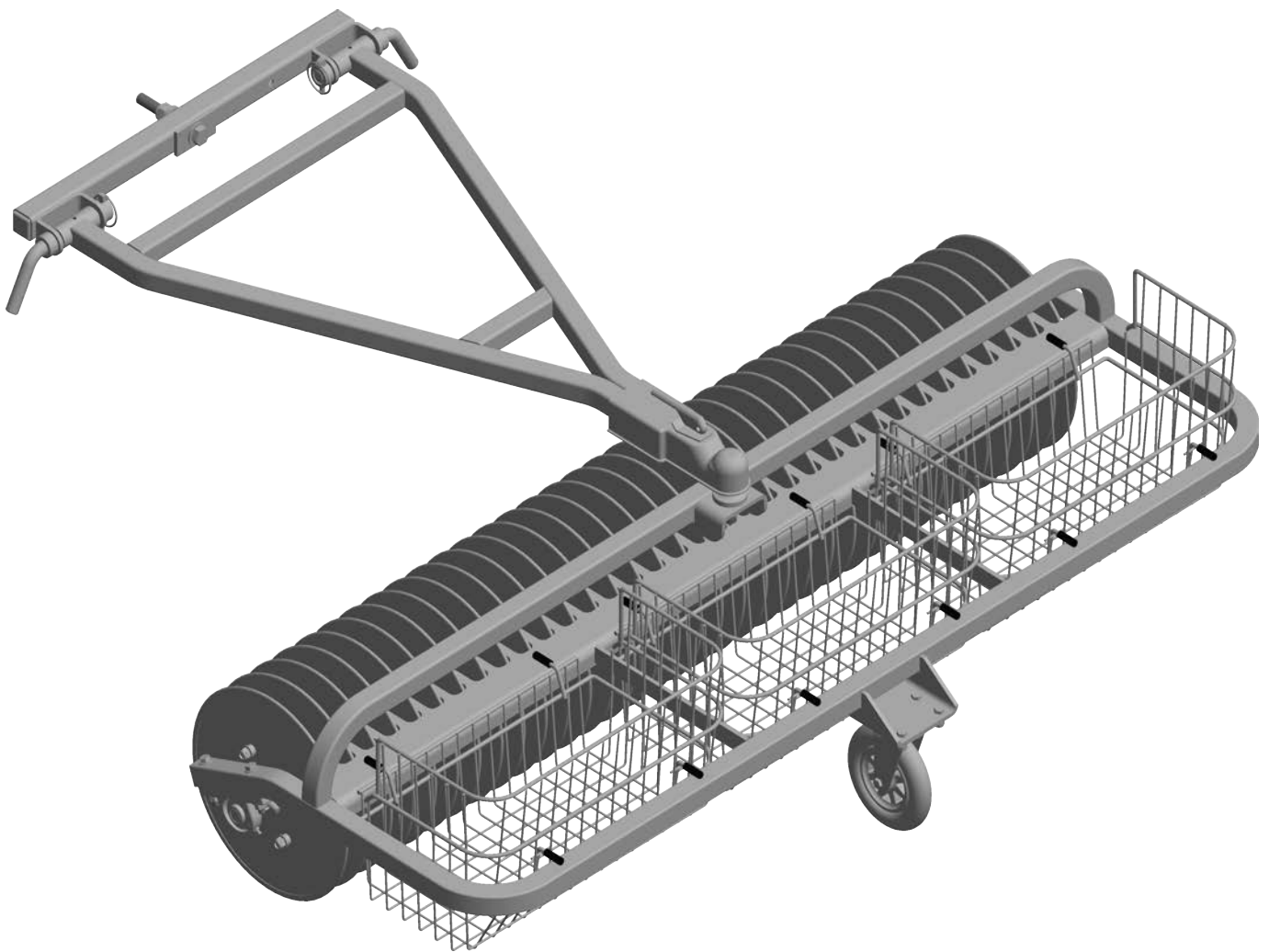




In-Line Magnum Harvester Parts Manual & Assembly Instructions

Part Number: 85500



IN-LINE MAGNUM HARVESTER WARRANTY

Standard Golf Company warrants its products to be free from defects in materials and workmanship within a period of one year from the date of purchase. Standard Golf's sole responsibility under this warranty shall be to repair, replace, or refund to its Distributor the price of the defective product or component. All such repairs, refunds and replacements are subject to such rules, terms and conditions as Standard Golf may promulgate from time to time.

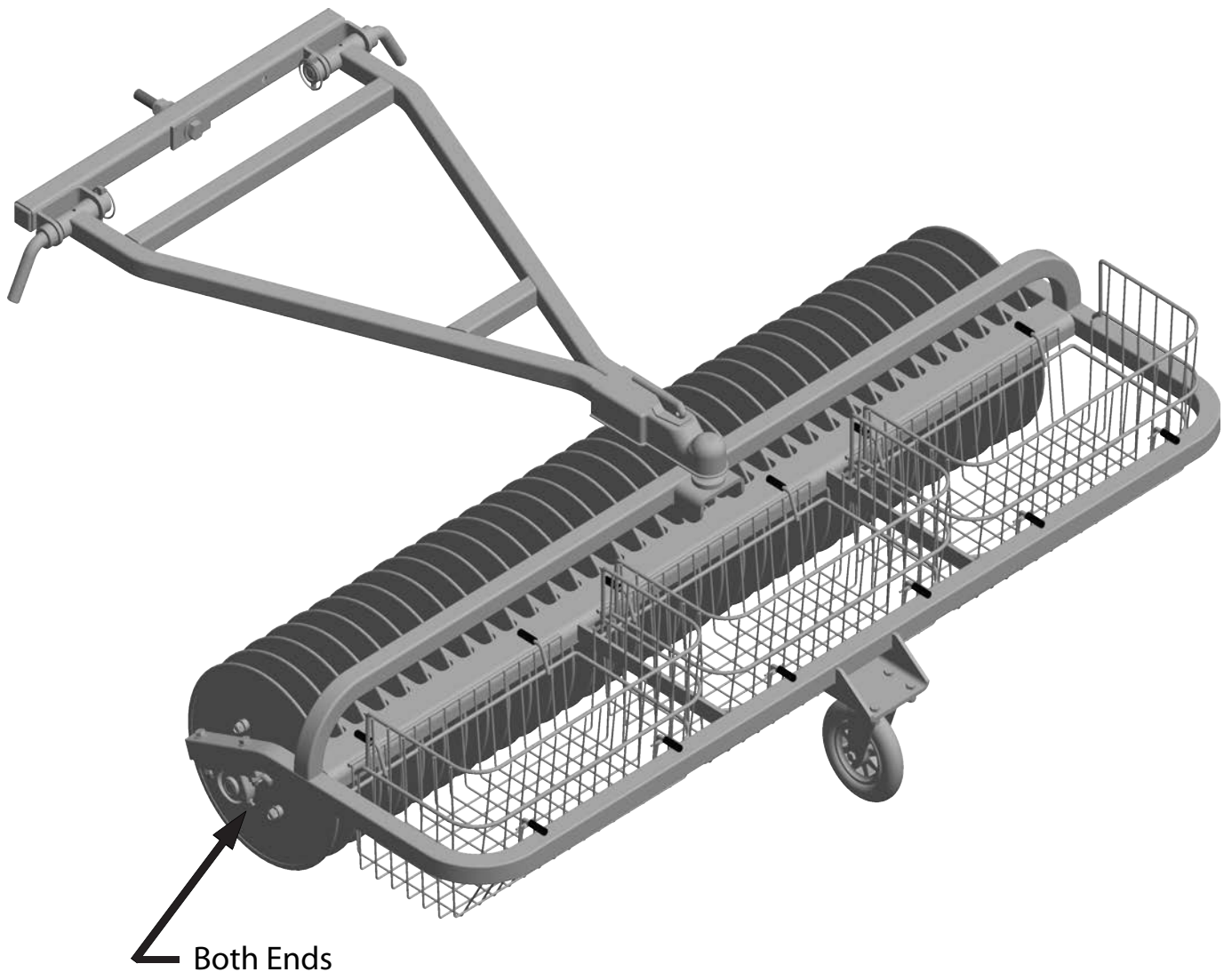
IN-LINE MAGNUM HARVESTER MAINTENANCE PROCEDURES

Daily

- Check for evidence of physical damage and loose hardware. Replace and/or repair as necessary.

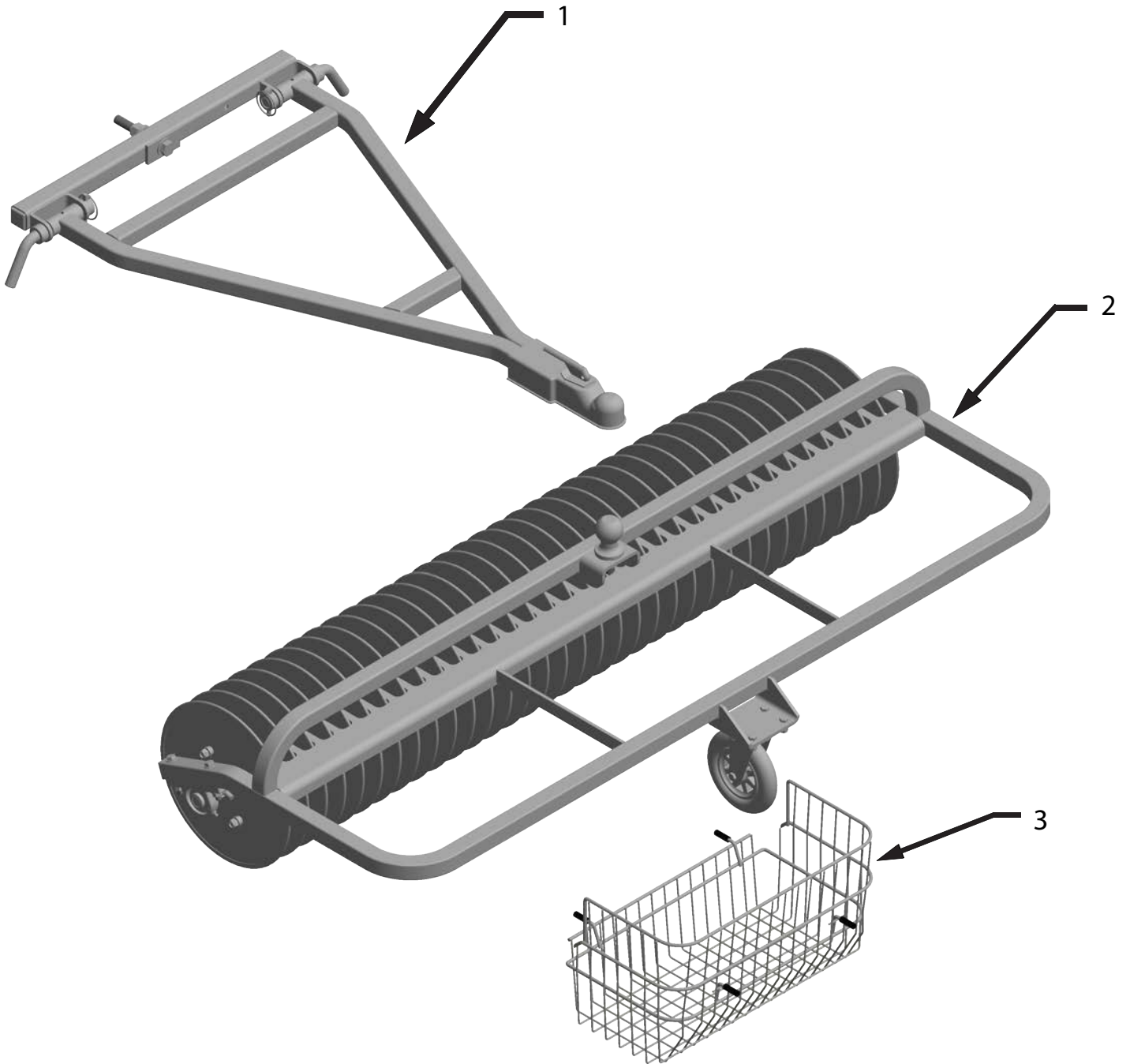
Monthly

- Check all hinge points for lubrication, grease as needed. (see below for grease zerker locations)



In-Line Magnum Harvester

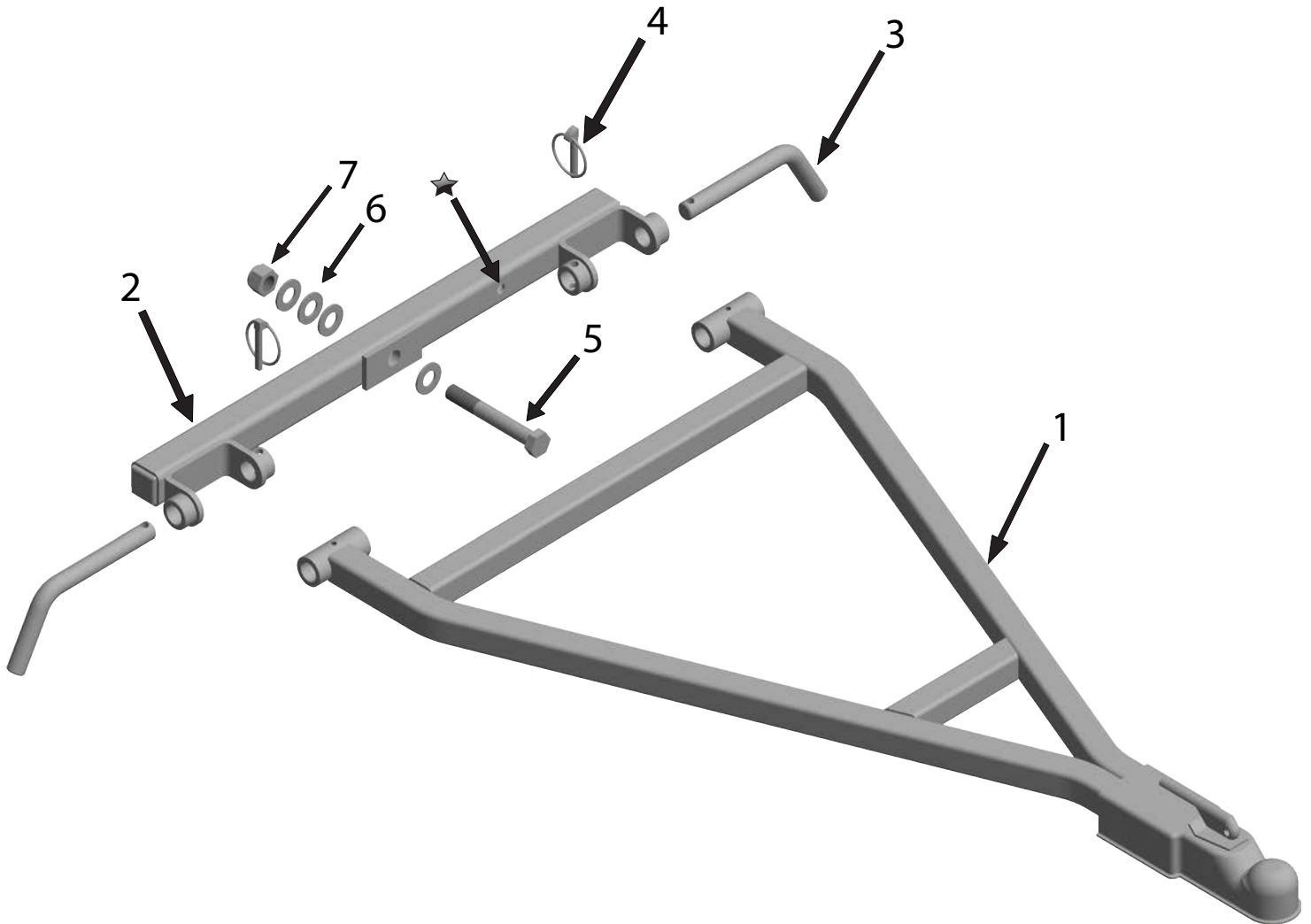
Model # 85500



Key Number/Item Description/Quantity/Part Number/Part Number

Key Number	Item Description	Quantity	Part Number	Part Number
1	Push Frame/ Pivot Bracket	1		Page 2
2	Main Frame	1		Page 3
3	Wire Basket	3	83119	

In-Line Magnum Harvester PUSH FRAME/PIVOT BRACKET

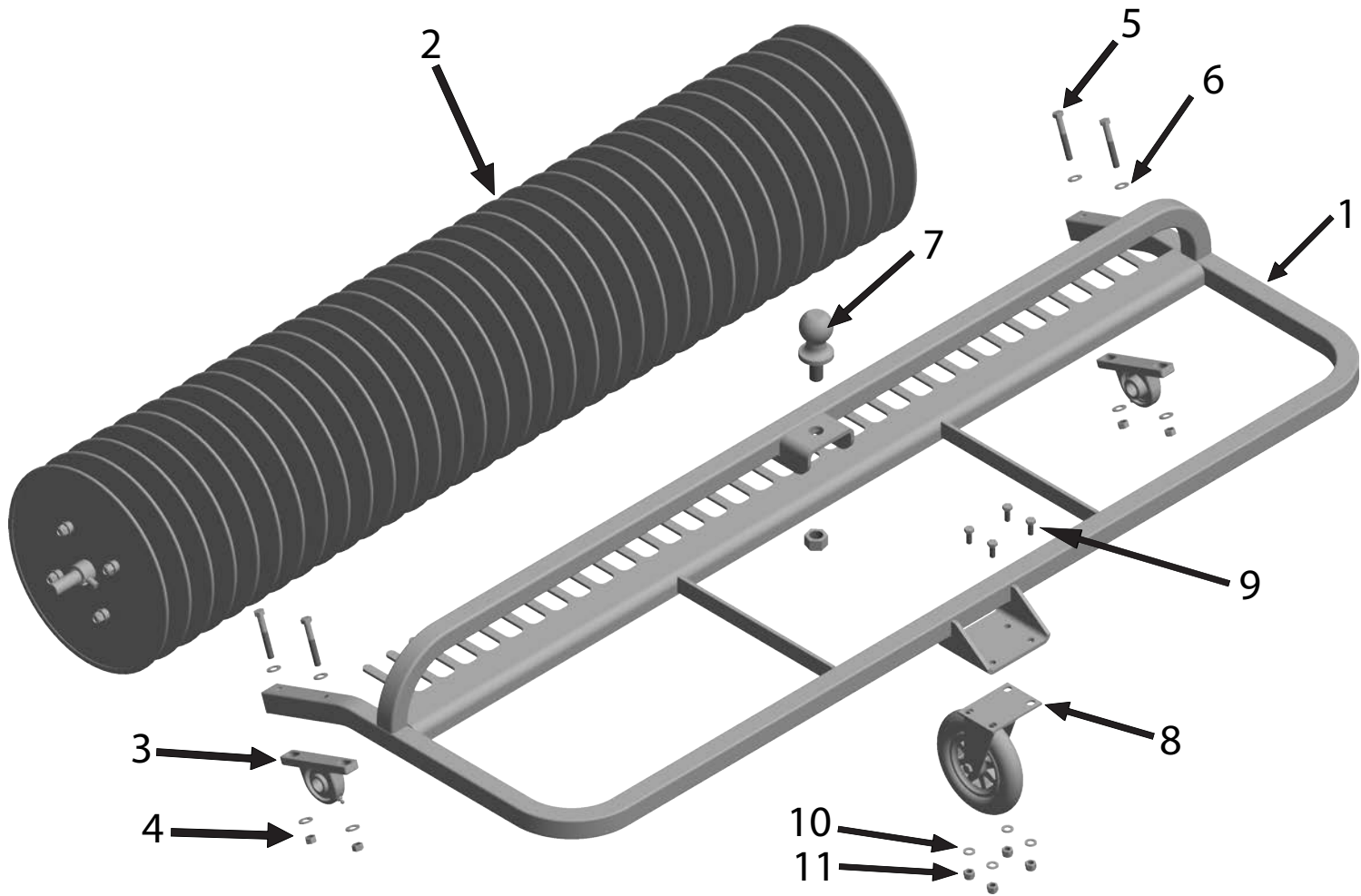


Key Number/Item Description/Quantity/Part Number/Part Number

1	Push Frame	1	85505
2	Pivot Bracket	1	85506
3	Pull Pin Pivot Bracket 3/4" (19mm) Dia.	2	83124
4	Safety Snap Pin	2	83123
5	5/8- 11 x 4-1/2 Hex Head Bolt (M16-2 x 120mm)	1	13-01117
6	.625 Flatwasher	4	13-01116
7	5/8-11 Nylon Lock Nut	1	13-01118

★ Transfer Hole and Fasten with Proper Hardware to Stabilize Pivot Bracket From moving

In-Line Magnum Harvester Main Frame Assembly

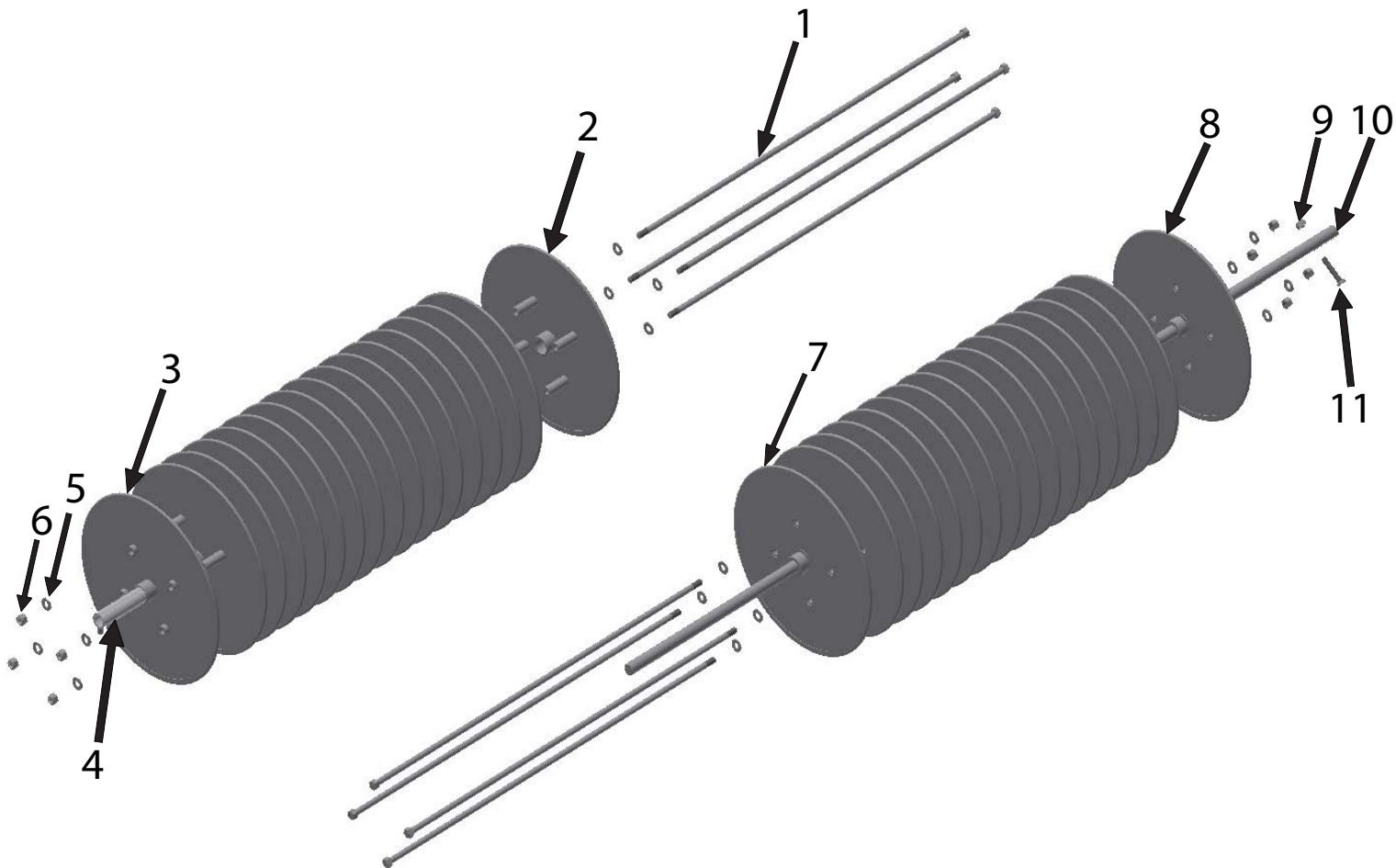


Key Number/Item Description/Quantity/Part Number/Part Number

1	Main Frame	1	85503
2	Drum Assembly	1	Sheet #4
3	Bearing Pillow Block	2	83116
4	3/8- 16 Nylon Lock Nut (M10)	4	13-01050
5	3/8- 16 x 2.50 Hex Head Bolt (M10- 1.5 x 65mm)	4	13-01048
6	3/8 Dia. Flatwasher (M10)	4	13-01010
7	Hitch Ball	1	13-01800
8	Caster with Rubber Wheel	1	85502
9	5/16- 18 x .75 Hex Bolt (M8- 1.25 x 20mm)	4	13-02005
10	5/16 Dia. Flatwasher (M8)	4	13-02000
11	5/16- 18 Nylon Lock Nut (M8)	4	13-01005

In-Line Magnum Harvester DRUM ASSEMBLY

Model # 85504



Key Number/Item Description/Quantity/Part Number/Part Number

1	Tie Rod Weldment	8	85507
2	Plastic Disk (1.02 Dia. ID)	16	82001
3	Plastic Disk, Pivot Tube	1	85405
4	Pivot Tube	1	85508
5	3/8 Dia. Flatwasher (M10)	16	13-01010
6	3/8- 16 Nylon Lock Nut (M10)	8	13-01050
7	Plastic Disk (.76 Dia. ID)	16	81503
8	Plastic Disk, Shaft	1	85205
9	5/16- 18 Nylon Lock Nut (M8)	1	13-01005
10	Axle	1	85509
11	5/16- 18 x 1 3/4 Bolt (M8- 1.25 x 45mm)	1	13-01111