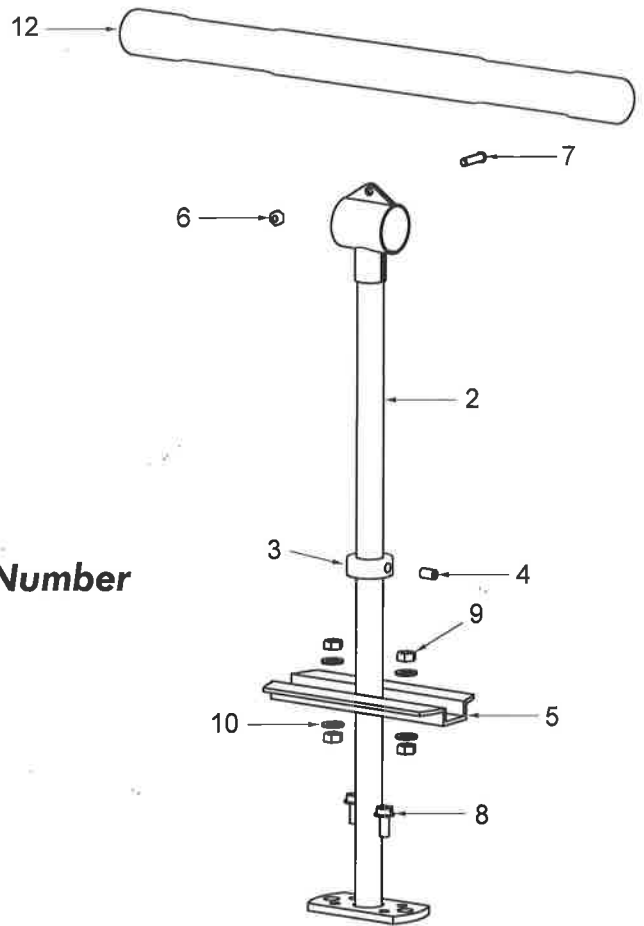


# PRO II HOLE CUTTER

28700, 28800, 28801, 28775



## Key Number/Item Description/Quantity/Part Number

1	Shell	1	
	Scalloped Sharpened Inside		28952
	Scalloped Sharpened Outside		28953
	Straight Shell 4-1/4" Diameter		28927
	Straight Shell 6" Diameter		28777
2	Insert Assembly	1	28704
3	Depth Gauge		
4	5/16 X 1/2" Set Screw		
5	Kick Plate		
6	1/4-20 Hex Nut	1	13-02003
7	1/4-20 X 1" Grade 2 Zinc	1	13-01040
8	5/16-18 X 3/4" Thread Cutting Bolt	2	13-01002
9	3/8-16 Hex Nut	4	13-01001
10	3/8" Flat Washer	4	26413
11	Expeller Assembly	1	
	4-1/4" Diameter		28715
	6" Diameter		28778
12	Wooden Handle	1	28204

