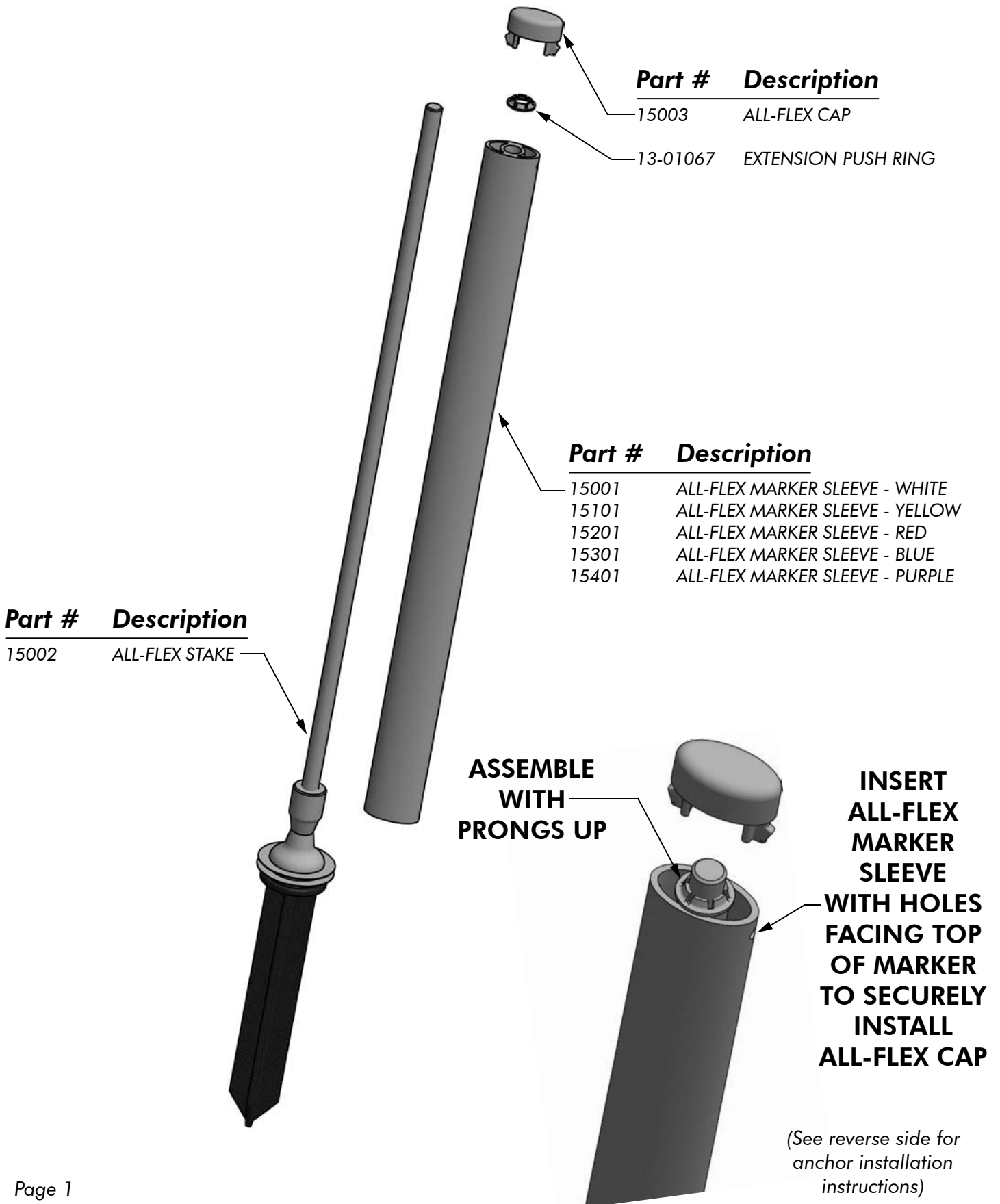


# ALL-FLEX HAZARD MARKER 15000-15400



**Part # Description**

- 15003 ALL-FLEX CAP
- 13-01067 EXTENSION PUSH RING

**Part # Description**

- 15001 ALL-FLEX MARKER SLEEVE - WHITE
- 15101 ALL-FLEX MARKER SLEEVE - YELLOW
- 15201 ALL-FLEX MARKER SLEEVE - RED
- 15301 ALL-FLEX MARKER SLEEVE - BLUE
- 15401 ALL-FLEX MARKER SLEEVE - PURPLE

**Part # Description**

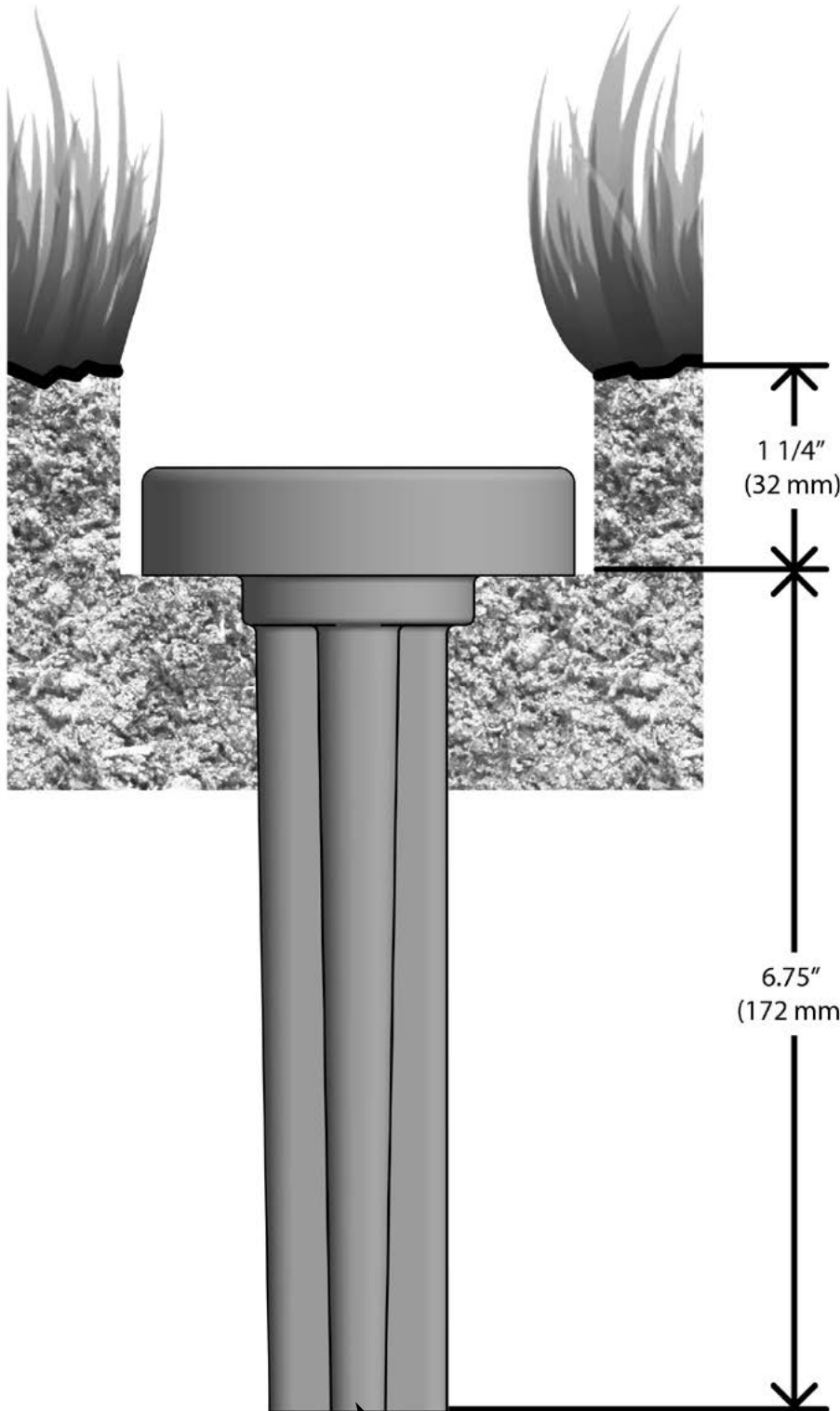
- 15002 ALL-FLEX STAKE

**ASSEMBLE  
WITH  
PRONGS UP**

**INSERT  
ALL-FLEX  
MARKER  
SLEEVE  
WITH HOLES  
FACING TOP  
OF MARKER  
TO SECURELY  
INSTALL  
ALL-FLEX CAP**

(See reverse side for  
anchor installation  
instructions)

# ALL-FLEX ANCHOR INSTALLATION



**REMOVE 1 1/4"  
DEEP PLUG WITH  
4 1/4" HOLE CUTTER**

**USE 1" DRILL BIT  
OR EQUIVALENT  
TOOL TO CREATE  
PILOT HOLE FOR  
GROUND ANCHOR**

**INSERT BY TAPPING  
GROUND ANCHOR  
WITH RUBBER  
Mallet UNTIL  
SECURE**

<b>Part #</b>	<b>Description</b>
15500	ALL-FLEX GROUND ANCHOR