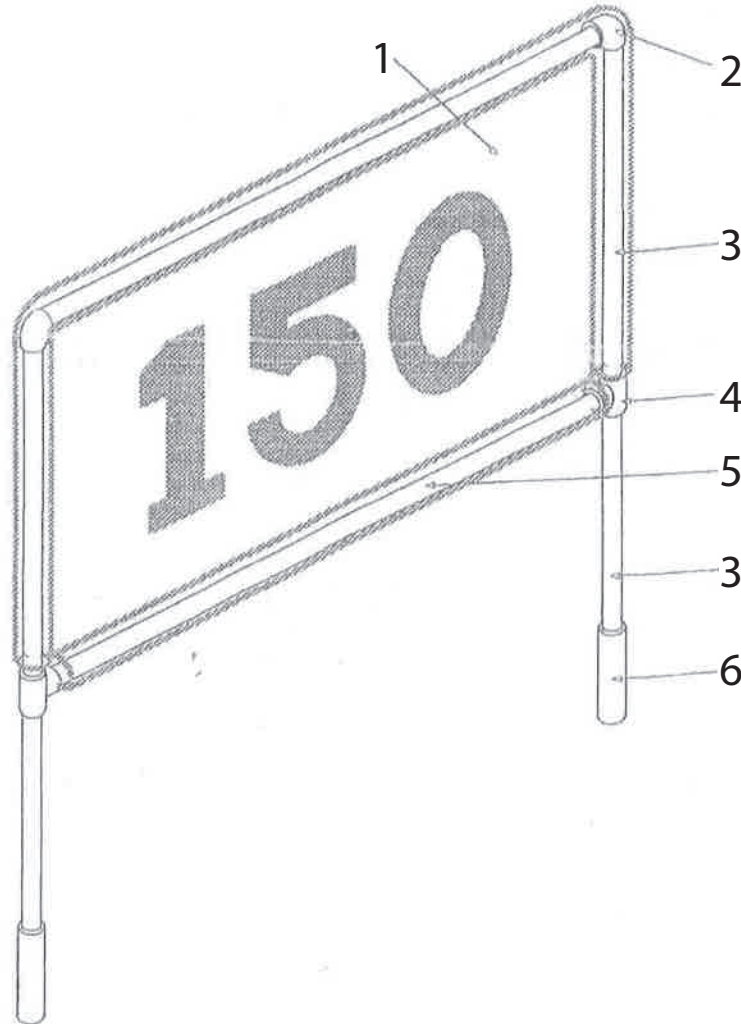




RANGE BANNER FRAME KIT 31000



Key Number/Item Description/Quantity/Part Number

1	RANGE BANNER	1	31050-31500
2	PRESSURE ELBOW	2	31001
3	20" SIDE FRAME/LEG	4	31002
4	PRESSURE TEE	2	31003
5	41.5" CROSS FRAME	2	31004
6	UNDERGROUND SOCKET	2	31006

PVC is cut to lengths specified above. Slide PVC pieces through sleeves in banner.
Connect elbows and tees. **Do not glue.** Use a hole cutter to install underground sockets.